



Manuals for 40x08 Prism Wall/Post Mounted Sign covering:

CAR COMING Sign
VEHICLE EXITING Sign
Custom Message 40x08 Sign
Dual - Sign Installations

Contents

- Applications
- Specifications
- Sensors for activation
- Cabling requirements
- Installation Manual
- Operations Manual
- Maintenance Manual

Last updated - Feb 2021
ParkingAlertSigns.com
PASSsigns.com
support@PassSigns.com



Description

The CAR COMING Sign is a self-contained system that warns pedestrians of vehicles exiting parking garages or other blind spots. When a vehicle is detected, the CAR COMING SIGN activates a Visual Flashing Alert and a Voice Message stating “Attention, vehicles exiting. Watch for vehicles!”

How it works

The CAR COMING Sign has an internal PASS Controller Board, Speaker, and Power Supply pre-wired inside the sign.

THE ENGINEERING IS DONE

A sensor, outside the sign, such as a vehicle motion detector is connected to the sign. Once a vehicle is detected leaving the facility, the sensor sends a signal to the PASS Controller inside the sign. The PASS Controller activates the flashing lights, flashing text, and a voice or audio alert for 10 seconds (or desired other time). The activation can restart if the

The **PASS Controller** controls the following features: (see Installation Documents)

- Activation Timer - set by dip switches 5, 10, 15, 20, 25, 30, 35 seconds
- Delay before activation - set by dip switches 0, 5, 10, 15
 - Allows a timed delay after the car is detected, and before the sign activates
- Volume control of the Audio/Voice output
- Selected voice or audio output with 4 position selector switch
- (2) Flashing outputs when sign is activated
- (1) Steady output when sign activated
- 12VDC output power for activation trigger sensors
- Test buttons

Types of Sensors that can trigger activation of the system

- Any Normally Open (NO) Dry output closure - no voltage outputs
- Motion sensor or Vehicle motion sensor
- Vehicle loop detectors
- Beam detectors
- Push buttons.
- Gate or Roll up door outputs.

Applications

Primary Application

Vehicle Exiting Warning System - The CAR COMING Sign and VEHICLE EXITING signs are used to warn pedestrians and street traffic of cars exiting parking garages and blind spots.

Dual Tandem Signs - Wide Parking Garage Exit

For parking garage exits that are 2 lanes or wider, than it is recommended to place a sign on either side of the exit, if possible, if the area is noisy or if the exit and sidewalk areas are busy with traffic.

Secondary Application

Two-way ramps systems - The CAR COMING Sign can be used on two-way ramp systems to warn vehicles of cross-traffic dangers.

Specifications

Part Numbers of complete kits and Triggering Devices.

CC4008V-Kit	CAR COMING Sign - with Control board, Power supply, Speaker
CC4008-Kit-MO	CAR COMING Sign - Kit above and with Motion Detector
CC4008-Kit-DL	CAR COMING Sign - Kit above and with Direction Logic motion detector
CC4008-Kit-LD	CAR COMING Sign - Kit above and with Vehicle Loop Detector
CC4008-Tandem	CAR COMING Sign - Used as second sign in dual sign setup of a CC4008V - no Control Board or Power supply and must be use

VE4008V-Kit	VEHICLE EXITING Sign - with Control board, Power supply, Speaker
VE4008-Kit-MO	VEHICLE EXITING Sign - Kit above and with Motion Detector
VE4008-Kit-DL	VEHICLE EXITING Sign - Kit above and with Direction Logic motion detector
VE4008-Kit-LD	VEHICLE EXITING Sign - Kit above and with Vehicle Loop Detector
VE4008-Tandem	VEHICLE EXITING Sign - Used as second sign in dual sign setup of a VE4008V - no Control Board or Power supply

Specifications

- Mounting: Wall or Post
- Mounting height - minimum bottom from ground is 42” UNLESS special adapters to mount lower
- Dimensions: 40” x 10”W back plate x 8” each face
- Weight: 37lbs
- Material: 14AWG Steel - hurricane wind strength
- Finish: Powder coating - Hammered copper textured or Black textured
- Power in: 100VAC to 277VAC or 12VDC 5Amps
- Backlight letters white LEDs - CAR COMING
- Flashing alert - Amber LEDs
- PASS Signs Controller Board
 - (2) Inputs - Trigger 1 & Trigger 2
 - (2) Outputs - *Flashing Output* - *Steady Continuous Output*
- Audio - 4 Channels selectable - Can be customized with any MP3 file
 - Voice audio - “Attention vehicles exiting. Watch for vehicles.”
 - Voice audio - “Watch for moving vehicles.”
 - Voice audio - “Vehicles moving.”
 - Audio only - *Ding ding*
- .

Finish - Hammered copper textured



Installation

Planning the placement of signs and sensors

Mounting and Electrical access locations

Mounting height and clearance

Recommended Anchors

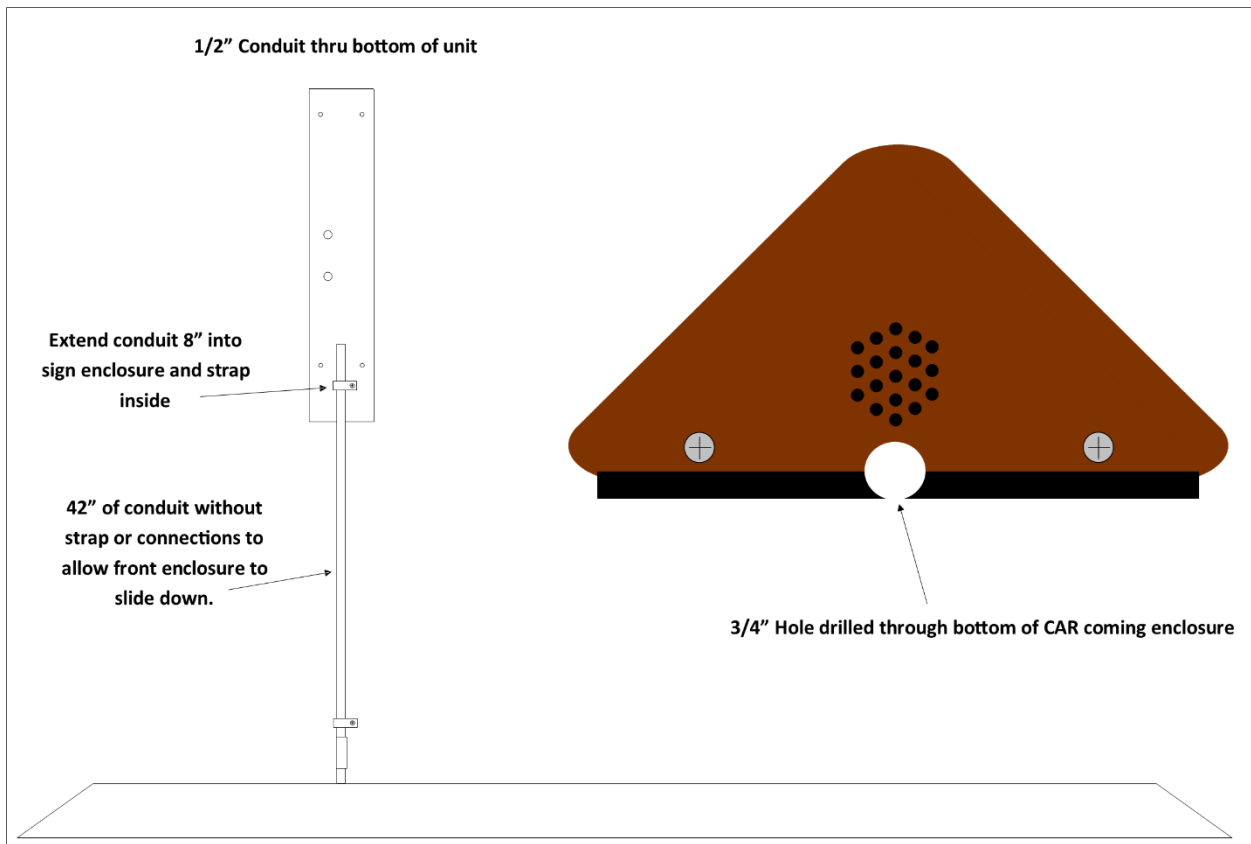
- Tapcon 1/4" x 2-1/2"
- 700lbs holding force per anchor
- 1-1/4" fender washers

CAR COMING 40"x 10" x 8" faces, Pedestrian Alert Safety Signs Mounting Information

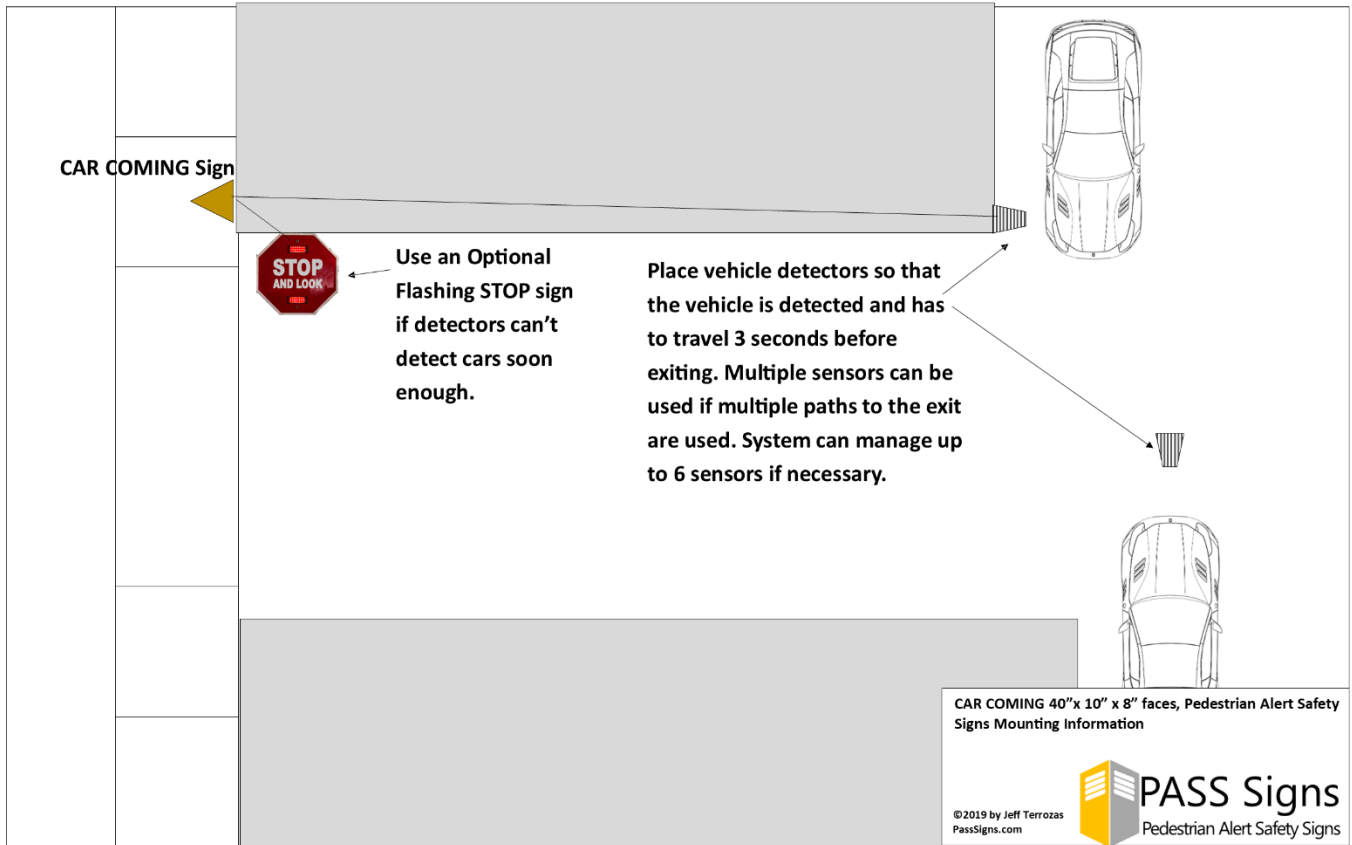
© 2019 by Jeff Terrozas
PassSigns.com

1/2" Conduit thru top of unit

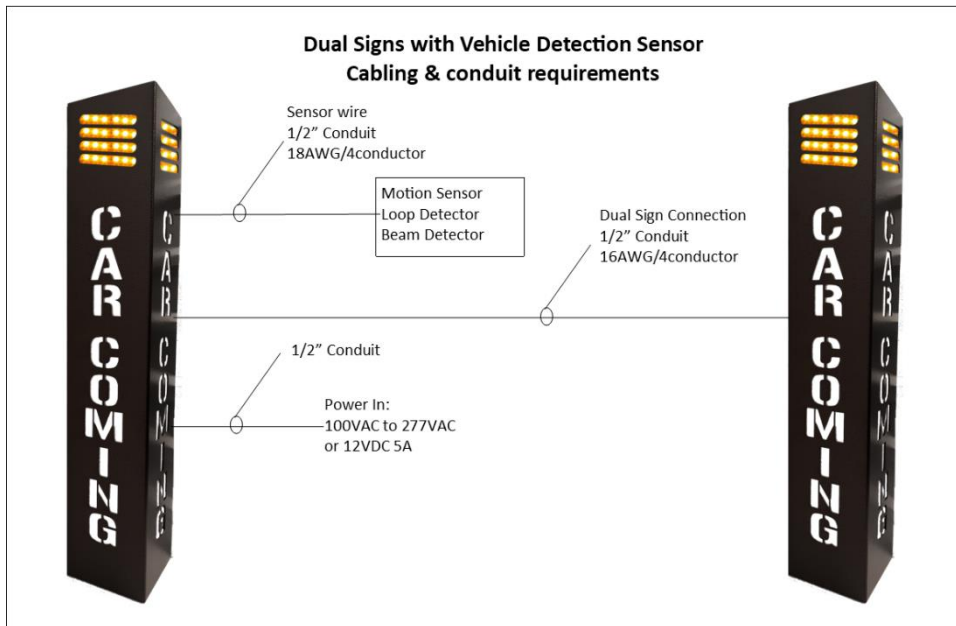
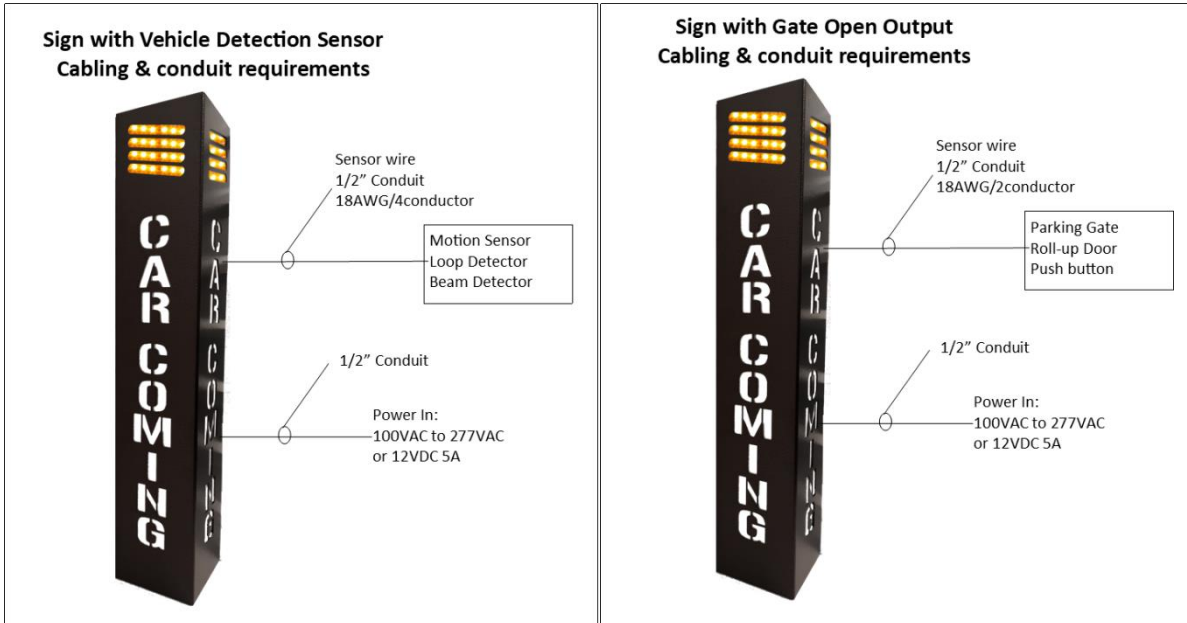
3/4" Hole drilled through top of CAR coming enclosure. Use water tight connections



Sensor Placement

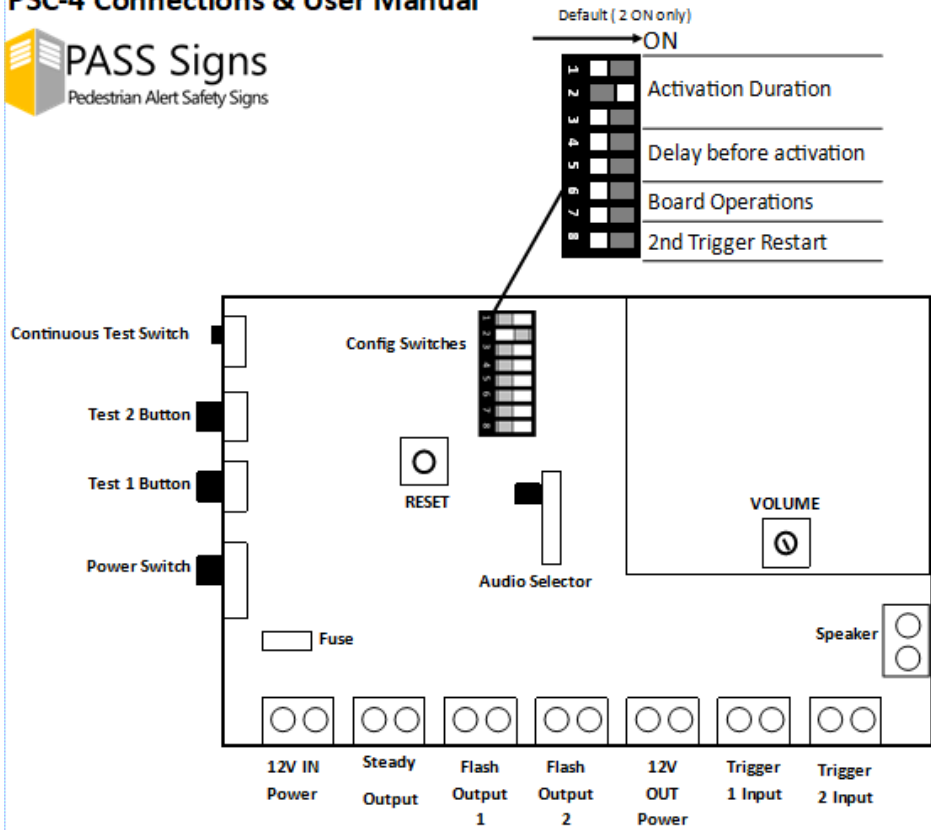


Cabling and Conduit Requirements



Terminations

PSC-4 Connections & User Manual



Config Switches

Activation Duration - How long the sign activates when triggered. Typical is 10 seconds.

Switch	On	Switch	ON
1	5 secs	1, 3	25 secs
2	10 secs	2,3	30 secs
1,2	15 secs	1,2,3	35 secs
3	20 secs		

Delay Duration - Delay time before the Activation Duration starts. Default is 0, SW 4&5 off

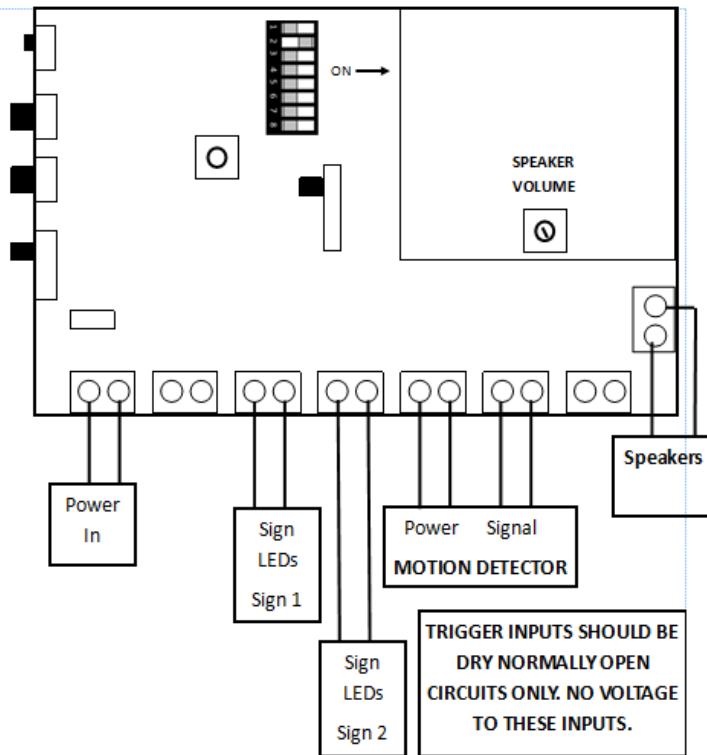
Switch	On	Switch	ON
	0 secs	5	10 secs
4	10 secs	4,5	15 secs

Board Operations - How the board functions. Default is Normal Operations, SW 6&7 off

Switch	On
	Normal Operations
6	Directional Logic Operations
7	2 Inputs - 2 Outputs
6,7	2-Way Traffic Controller

2nd Trigger Restart - If a 2nd car comes through and activates the trigger the Activation Duration will restart back at 1 second

Switch	On
	Normal Operations
8	2nd Trigger will reset Activation Timer



Operations

PASS Signs can operate in three different Operations Mode. Select the Operations Mode that works best for your application. Operations Modes are set by the Dip Switches of the PASS Signs Controller (PSC). The PSC manual will have the latest changes to Operations and all features of the PSC.

Operations Mode 1 - Default - Trigger 1 OR Trigger 2 activates the system.

This is the default mode of the PSC and used in 80% of parking applications. The System activates on a closure (short) on Trigger 1 OR Trigger 2. The systems continues to activate until the duration time expires.

Operations Mode 2 - Directional Logic Activation - Trigger 1 THEN Trigger 2 activates the system

The System activates on a closure (short) on Trigger 1 THEN Trigger 2. The systems continues to activate until the duration time expires.

When Trigger 2 THEN Trigger 1 goes in order Nothing happens.

Operations Mode 3 - Two Individual Inputs - Two Individual Outputs

The Pass Signs Controller works as two individual Input/Output sequences. This allows two separate signs system and triggers to work independent of each other.

Trigger 1 activates the STEADY output but with a flashing output.

Trigger 2 activates the FLASHING 1 and FLASHING 2 with a flashing output.

Troubleshooting system

Q: There are no lights on the Control Board.

A: Power supply is not supplying 12VDC to the Control Board.

- The RED LED power in on the Control Board will light if Power is being supplied. Even if the power switch on the Control Board is off.
- Use a multimeter to ensure that AC Voltage is powering the Power Supply.
- Then check to ensure 12VDC power is being output from the Power Supply.
- Double check the wiring connections throughout power and Control Board.
- If power is being supplied to the Power Supply but not outputting 12VDC then contact PASS Signs for a replacement Power Supply.

Q: When I power up the system the sign activates continually

A: The sign is receiving an Input Closure continuous on either Trigger 1 or Trigger 2.

- Check that the mini slide switch for Testing on the Control Board is set to OFF. This mini slide switch is next to the test buttons
- Check the Input lights for a GREEN Led on Input1 or Input 2. Remove wires from Input 1 and Input 2 and if the GREEN Led turn offs and the sign stops activating then your vehicle detector sensor could be wired improperly or the sensor could be stuck closed.

Q: The lights and lettering flash but I have no Voice or Audio

A: The volume is turned down or the speaker connection is loose

- Turn the small blue dial on the Voice Module of the PASS Control Board
- Check the speaker connections are tight on the PASS Control Board

Q: The sign activates when I push the Test Buttons, but the sensor is not activating the systems.

A: The sensor may not be landed on the proper inputs or may not have power

- Check that the signal cable from the sensor is a DRY OUTPUT. No voltage should be sent from the sensor to the PASS Control Board. The PASS Controller uses a Normally Open output and activates on a Dry Closure.
 - Use a multi-meter on Continuity setting and test the cabling from the sensor is OPEN Line In normal state and shows Continuity when closed (0 Resistance).
- Ensure the sensor is powered up.
- Because of the numerous sensors that can be used it is impossible to address all issues in the document. Contact Support@PassSigns.com for help.

Maintenance

Maintaining Enclosure Finish

To ensure the maximum extension of the product, the following maintenance is required:

Time Period	Action
Every 6 months Outer Enclosure cleaning	<p>Wipe down the outer enclosure with soap and water to clean the powder coating.</p> <p>Remove the front enclosure and wipe down the inside and clean the back of the plastics to ensure maximum brightness through the plastics with soap and water.</p> <p>Using a sealant and protectant (example: Amor All) wipe down all the powder coated areas to avoid scale build up on the outer enclosure.</p>
Every 30 days Testing the unit	<p>If the unit is not monitored daily by the end-user, ensure that a technician tests the system every 30 days for the following:</p> <ul style="list-style-type: none">• Audio volume• LED Brightness• Sensor sensitivity• Detection area• Activation Timer (typically 10 seconds)• Timing between detection of the vehicle and activation of the sign