

Parking Alert Signs

Product Guide



Intelligent warning systems and signs for your parking facilities

PRODUCT GUIDE DIRECTORY

How it all Works

Detection Sensors

Intelligent Control Boards

Custom Signs

Backlit Sign Kits

Vehicle Exiting Warning Sign Kits

Traffic Control Systems Kits

Pedestrian Warning Systems Kits

Messaged Warning Signs

- Overheight vehicle warning system

- Vehicle on Ramp warning system

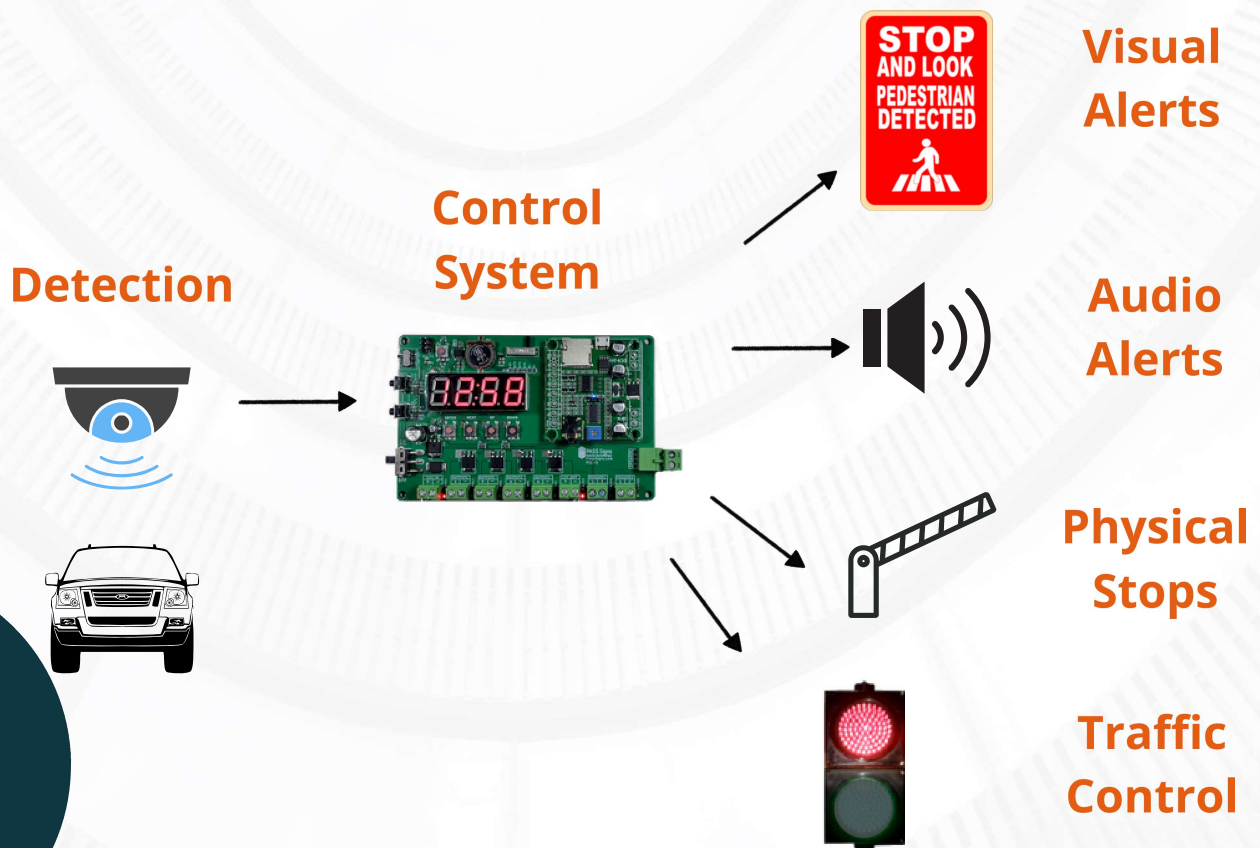
- Stop Here Oncoming Traffic warning system

ABOUT PARKING ALERT SIGNS

Parking Alert Signs goes beyond traditional sign manufacturers by building intelligent safety systems, not just signs. We design and manufacture sensor-driven solutions that actively respond to vehicles and pedestrians, solving real-world safety challenges inside parking garages and delivering smarter, more reliable traffic control.

Q: Difference between Parking Alert Signs and other sign manufacturers?

A: We build Intelligent Systems vs Signs. These systems are used to warn pedestrians and vehicles of danger by audio and visual alerts.



“The Engineering is Done!”

Detection Sensors

Decider2



Intelligent Radar Detection

- Detects between Vehicles & People
- Detects direction of travel
- Programmable with the PS-Decider2-REM remote
- Detection by radar to 30'
- Best for vehicle exiting systems
- Good for pedestrians approaching crosswalks

EchoSense20



Intelligent Presence Detection

- Detects when a vehicle is present
- Can be used as a safety device to prevent gates closing, pedestrian crossings, and vehicle cross-traffic.
- Radar detection up to 20'

BeamGuard30



Height detection Beam

- Used to detect height of vehicles
- Can be used as a safety device to prevent gates closing, pedestrian crossings, and vehicle cross-traffic.
- Reflective beam detection up to 30'

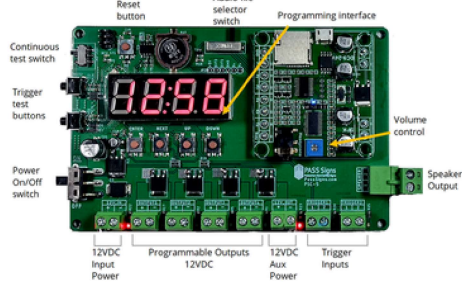
Intelligent detection activation

Intelligent Controllers

PSC5 Control Board

(4) 12V Programmable Outputs, (2) Inputs
4 Channel Audio Out w/ Audio-Cut Off Timer

P/N: PSC-5



PSC-5 Warning Sign Control Board

(4) 12VDC outputs (programmable flashing or constant)

(2) Trigger Inputs (from detection device)

(1) Speaker Output for up to 3 speakers

(4) Selectable audio files

Activation Timer - how long does the sign activate when triggered

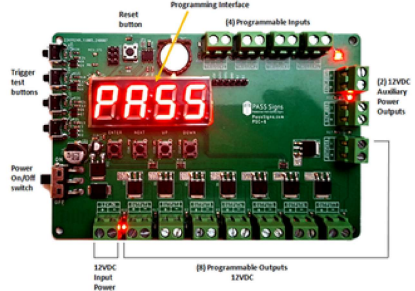
Audio Cut-Off Timer - turns of audio at designated times.

Input power: 12VDC 3A

PSC6 Control Board

(8) 12V Programmable Outputs, (4) Inputs
Intelligent traffic control

P/N: PSC-6



PSC-6 - 2 to 4-way Traffic Control System

(8) 12VDC outputs (programmable flashing or constant)

(4) Trigger Inputs (from detection device)

Activation Timer - how long does the sign activate when triggered

Input power: 12VDC 3A

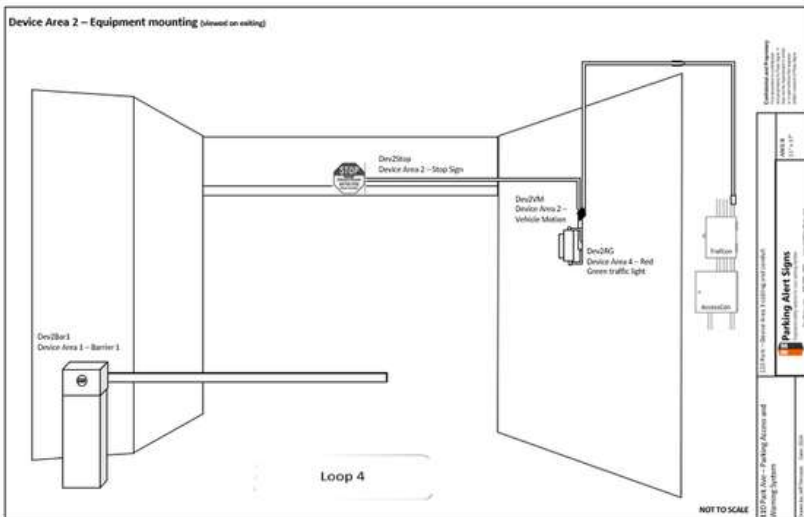
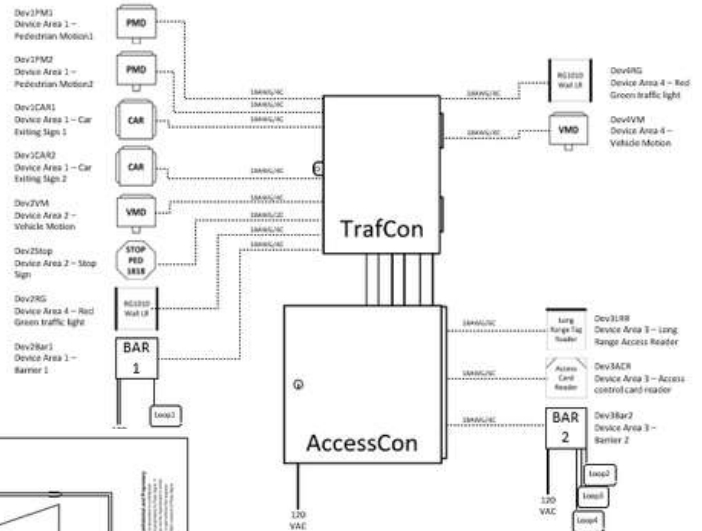
Smart controls for a safer facility

Custom Signs and Designs

Can't find what you are looking for?
Need a special design to solve your problem?
Call or email us.



Central Controller cabling schedule



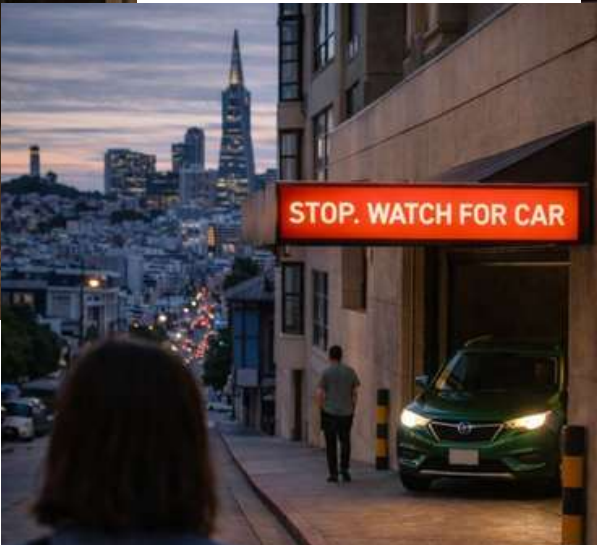


Backlit Message Signs

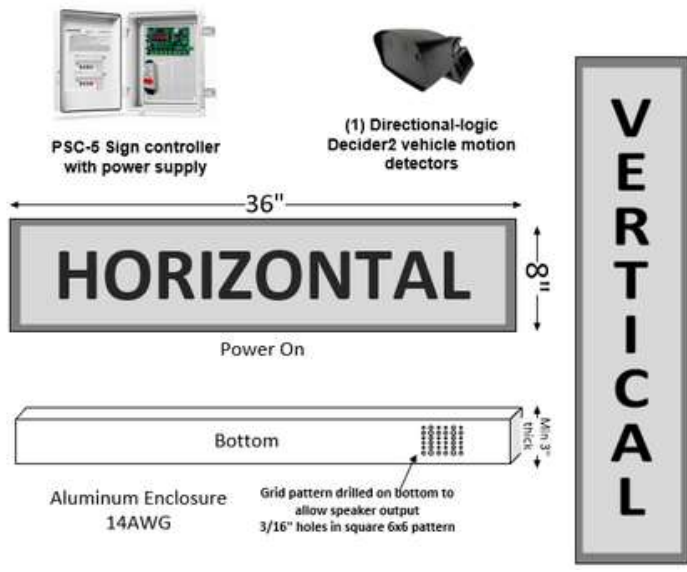
**Simple signs for warning with
flashing text and audio alerts**

Backlit Message Signs

Attention. Vehicle exiting!



Single-sided or Double-sided - KIT



Application: Multitude custom applications for flashing text and audio alerts

Operations: When a vehicle is detected exiting, the CUSTOM TEXT Sign will flash with text. A voice alert will announce, your CUSTOM AUDIO message. Includes the PSC-5 Controller for timing and includes Decider2.

Mounting: Wall, ceiling, or awning

Power In: 120VAC 1A or 12VDC 5A

Enclosure: Aluminum enclosure 16AWG

36" x 8", custom sizes available



Vehicle Exiting Signs



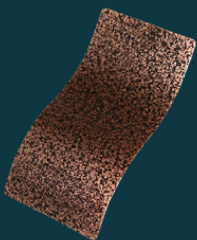
**Warning pedestrians, vehicles,
and bikes of vehicles exiting a
facility with flashing text and
audio.**

Vehicle Exiting Signs



Placed at exits of parking facilities to warn pedestrians of exiting vehicles with flashing text and audio.

14AWG Aluminum enclosures
Powder Coating - Penny Vein



Vehicle Exiting Signs

Wall or Post Mounted

CAR COMING KIT

Wall/Post Mount • 40" X 10" • 2-sided

P/N: CC4010VW2-KIT



Application: Midsize to large parking facility exits and thoroughfares for cars.

Operations: When a vehicle is detected exiting, the CAR COMING Sign will flash with text and amber lights. A voice alert will announce, "Attention, vehicle exiting watch for vehicles." Includes the PSC-5 Controller for timing and includes Decider2.

Mounting: Wall or post

Power In: 120VAC 1A or 12VDC 5A

ALLEY EXIT KIT

Wall/Post Mount • 18" X 6" • 3-sided

P/N: CAR1806VW3-KIT



Application: Small parking facility exits and alley exits.

Operations: When a vehicle is detected exiting, the CAR Sign will flash with text. A voice alert will announce, "Attention, vehicle exiting watch for vehicles." Includes the PSC-5 Controller for timing and includes Decider2.

Mounting: Wall or post

Power In: 120VAC 1A or 12VDC 5A

Ground Mounted

WARNING POST KIT

Ground Mount • 48" x 7" • 4-sided

P/N: CC4807VG4-KIT



Application: Underground parking exits, midsize to large parking facility exits.

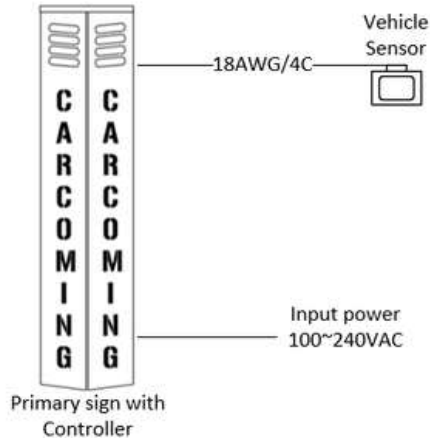
Operations: When a vehicle is detected exiting, the CAR COMING Warning post will flash with text. A voice alert will announce, "Attention, vehicle exiting watch for vehicles." Includes the PSC-5 Controller for timing and includes Decider2. 1-side will flash "GO SLOW" towards the exiting vehicle.

Mounting: Ground, landscape planter, top of wall

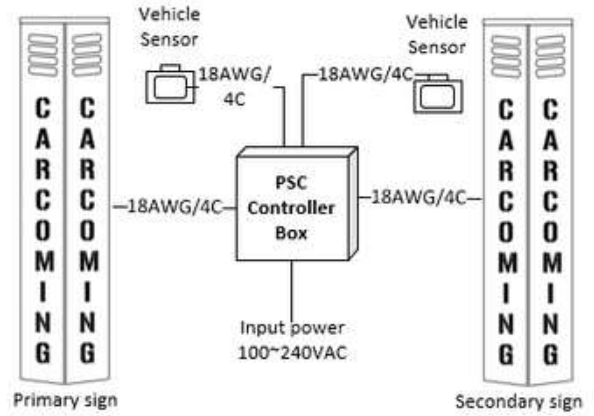
Power In: 120VAC 1A or 12VDC 5A

Vehicle Exiting Signs

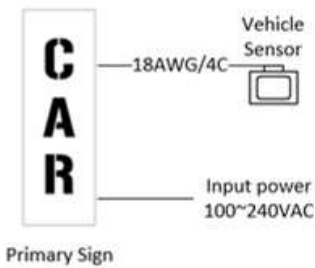
CC4010VW2-KIT common cabling for single sensor



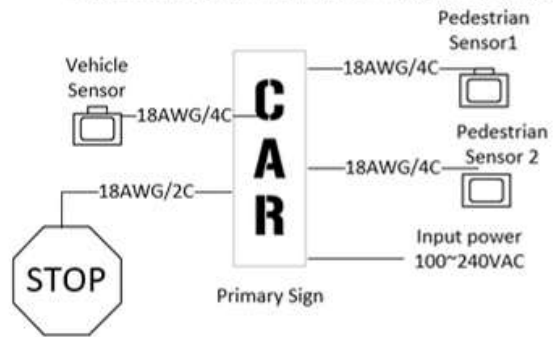
CC4010VW2-KIT Dual Sign for wide exits common cabling for dual sensor Central controller



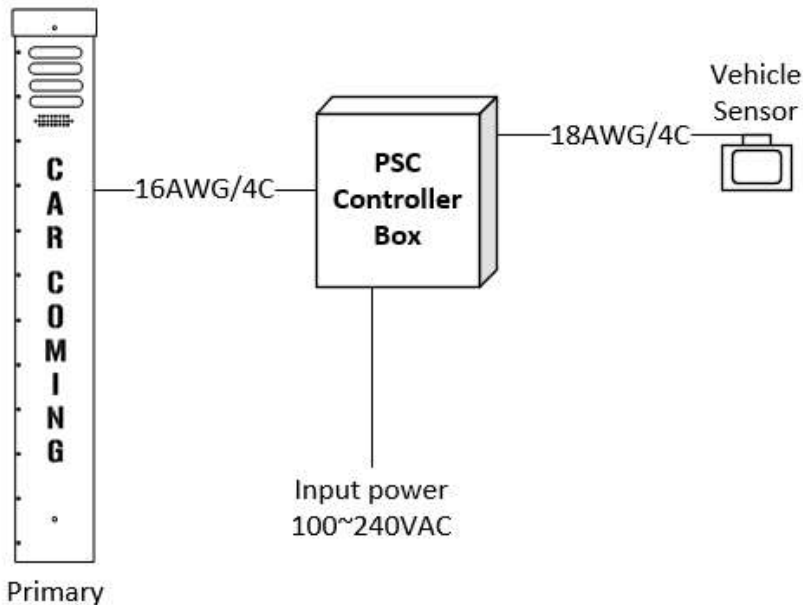
CAR1806VW3-KIT common cabling for single sensor



CAR1806VW3-KIT common cabling for multiple sensors



CC4807VG4-KIT common cabling for single sensor



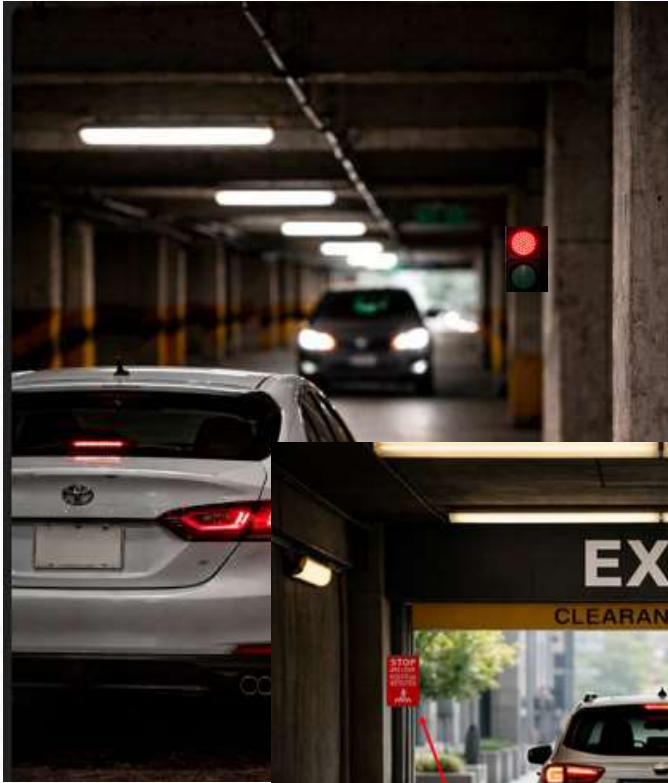


Traffic Control Systems



Prevents accidents by stopping and controlling traffic within parking facilities and truck yards.

Traffic Control Systems



Tight turns

Intersections

Complex Intersections

 **Parking Alert Signs**
Engineered safety systems for your parking facilities
PassSigns.com

Parking Facilities and Truck Yards
TIGHT TURNS & INTERSECTIONS

Traffic Control Systems

2-Way Traffic Control Kit

10" X 6" Traffic Lights with swivel mounts

P/N: RG1006-2WAY



(2) Red/Green 1006 Traffic Lights



PSC6 4-way traffic controller with power supply



(2) Directional-Hogic vehicle motion detectors

Application: Tight corners, blind spots, intersections of parking facilities and truck yards. Not intended for regular street traffic.

Operations: When a vehicle is detected at the intersection, all traffic lights initially remain red. The system then activates a green light for the detected vehicle's direction for a designated Activation Time, while all other directions stay red.

If another vehicle is detected from a different direction during the Activation Time, it is added to a queue. Once the Activation Timer expires, the system switches to the queued lane.

If a second vehicle is detected from the original direction during the Activation Time, the timer restarts, allowing the second vehicle to clear before switching lanes.

Mounting: Wall or post

Power In: 120VAC 1A or 12VDC 5A

3-Way Traffic Control Kit

10" X 6" Traffic Lights with swivel mounts

P/N: RG1006-3WAY



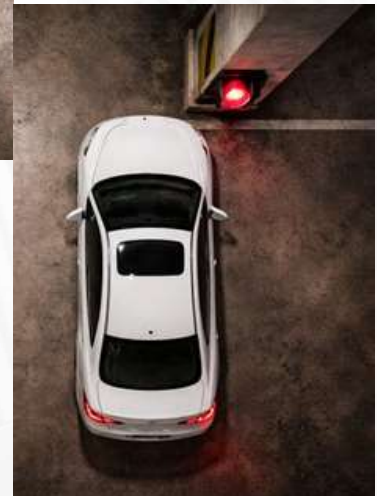
(3) Red/Green 1006 Traffic Lights



PSC6 4-way traffic controller with power supply



(3) Directional-Hogic vehicle motion detectors



4-Way Traffic Control Kit

10" X 6" Traffic Lights with swivel mounts

P/N: RG1006-4WAY



(4) Red/Green 1006 Traffic Lights

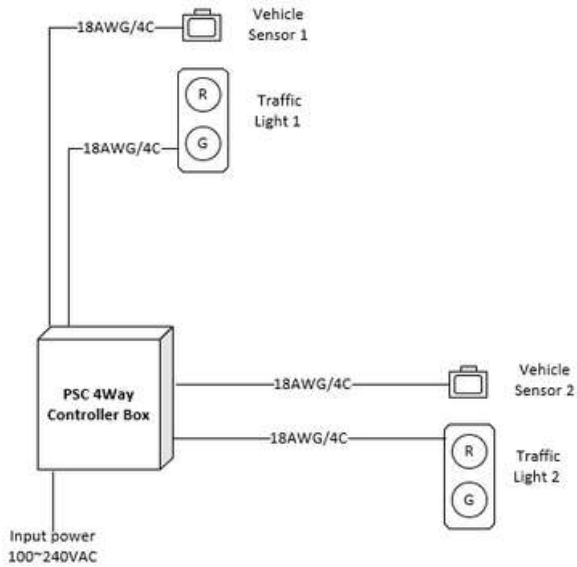


PSC6 4-way traffic controller with power supply



(4) Directional-Hogic vehicle motion detectors

Example of 2-way traffic control wiring



Termination of 4-way Traffic Control System

PSC6 Termination example to Sensor and 4-way Traffic Light system

Please note: Gray line colors are being used for White wires.

	Red Light+	Red Light-	Green Light+	Green Light-
Traffic Light 1	Output 1 +	Output 1 -	Output 2 +	Output 2 -
Traffic Light 2	Output 3 +	Output 3 -	Output 4 +	Output 4 -
Traffic Light 3	Output 5 +	Output 5 -	Output 6 +	Output 6 -
Traffic Light 4	Output 7 +	Output 7 -	Output 8 +	Output 8 -

	Power +	Power -	Output Trigger 2-wires
Sensor 1	12VDC + Out	12VDC - Out	Input 1
Sensor 2	12VDC + Out	12VDC - Out	Input 2
Sensor 3	12VDC + Out	12VDC - Out	Input 3
Sensor 4	12VDC + Out	12VDC - Out	Input 4

Confidential and Proprietary
This document is the property of Pass Signs, Inc. and is intended for use only by the recipient. It may not be reproduced in whole or in part without the express written consent of Pass Signs.

PASS Signs shop drawings
ANSI A
18" x 11"

Parking Alert Signs
Engineered safety systems for your parking facilities
PASSSigns.com 410-691-1993 support@passsigns.com

PSC-6 Common Terminations 4-way Controller with Vehicle Motion Detectors
Drawn by: Jeff Tomazos Date: 2024

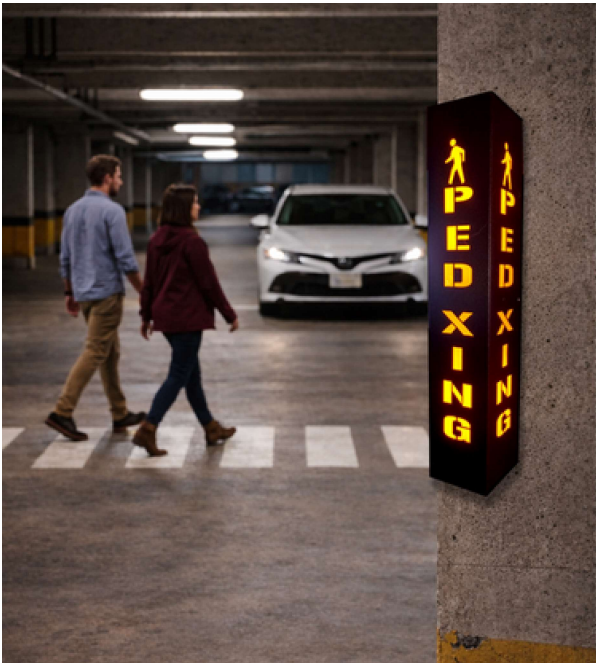


Pedestrian Crossing and Detection Systems



Prevent pedestrian accidents by warning drivers of when pedestrians are detected and crosswalks in your facilities.

Pedestrian Crossing and Detection



Detect
Pedestrians

Warn the
Drivers



Pedestrian Crossing and Detection

Wall or Post Mounted

PED X-ING 3-Sided Kit

Wall/Post Mount • 36" X 6" • 3-sided

P/N: PX3606VW3-KIT



(1) Pedestrian Crossing 36" x 7" Sign with speaker



PSC5 Warning Sign Controller with enclosure & power supply



(2) Directional-logic pedestrian motion detectors

Application: Crosswalks, elevator lobbies stairwells, and blind pedestrian exits.

Operations: When a pedestrian is detected, the PED X-ING Sign will flash with text to **WARN** drivers of the danger. The system includes the PSC-5 Controller for timing and includes (2) Decider2 intelligent pedestrian detector.

Mounting: Wall or post

Power In: 120VAC 1A or 12VDC 5A

STOP and LOOK PEDESTRIAN DETECTED Kit

Stops vehicles when a pedestrian is detected

P/N: PS-SLPD1812



(1) STOP AND LOOK, PEDESTRIAN DETECTED 1812 Signs



PSC5 Warning Sign Controller with enclosure & power supply



(2) Directional-logic pedestrian motion detectors

Application: Sidewalks, crosswalks, elevator lobbies stairwells, and blind pedestrian exits.

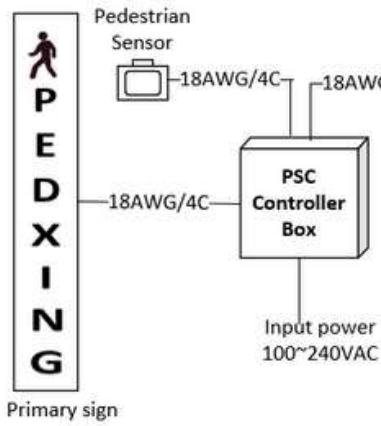
Operations: When a pedestrian is detected, the STOP AND LOOK PEDESTRIAN DETECTED Sign will flash with text to **STOP** drivers of the danger. The system includes the PSC-5 Controller for timing and includes (2) Decider2 intelligent pedestrian detector.

Mounting: Wall or post

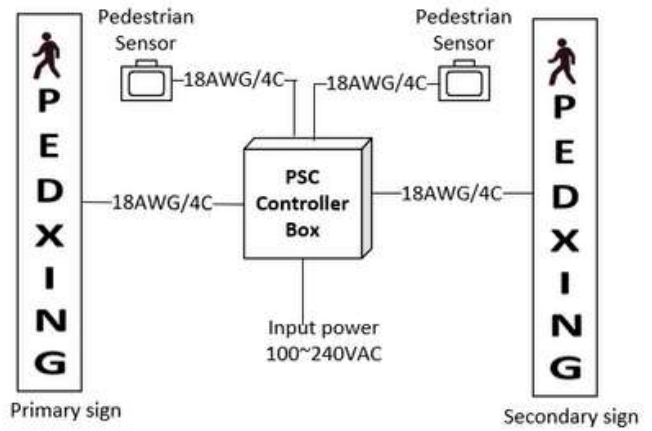
Power In: 120VAC 1A or 12VDC 5A

Pedestrian Crossing and Detection

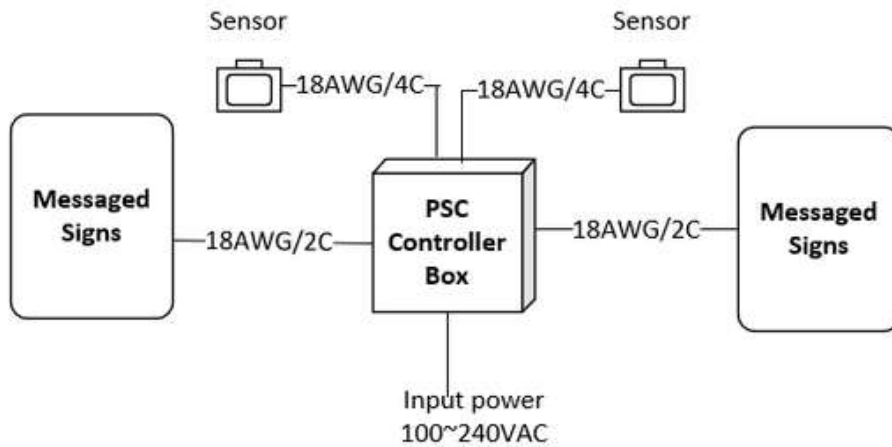
PEDX3607V3-KIT common cabling for dual sensor



PEDX3607V3-KIT common cabling for Tandem Kit



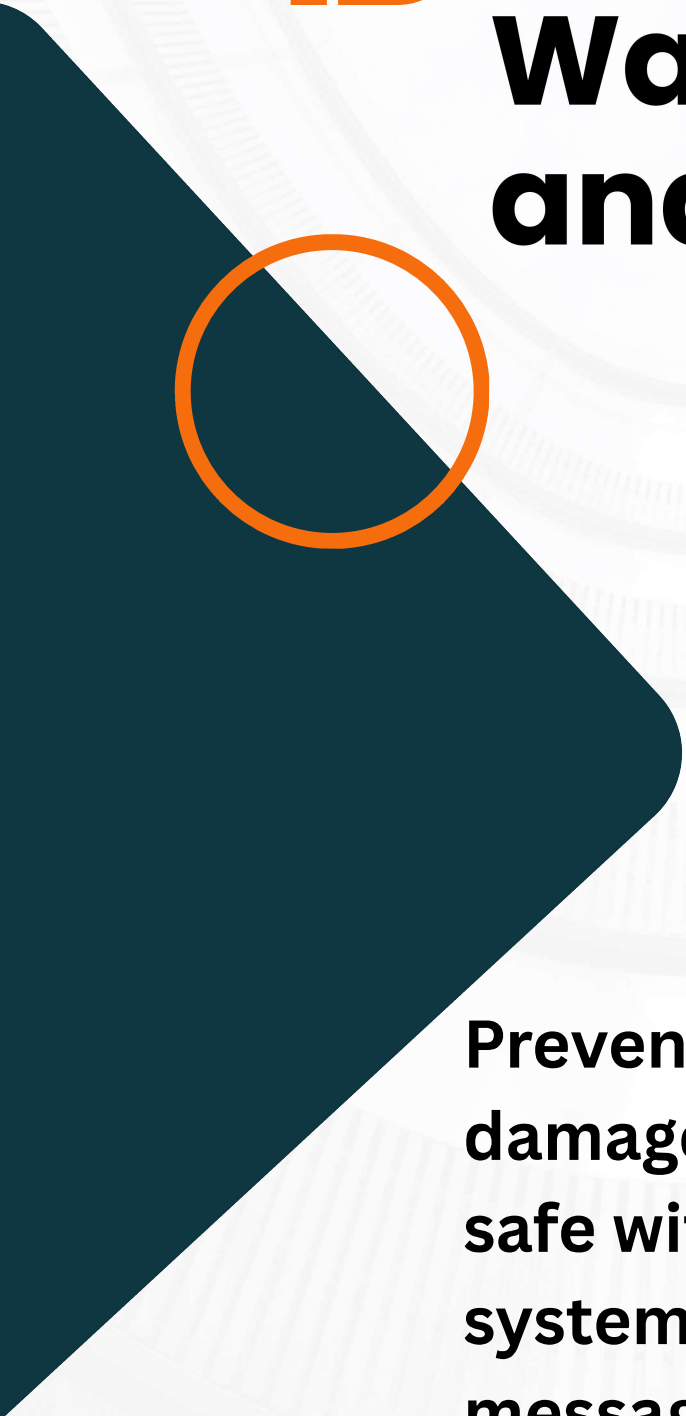
Message Sign common cabling for Multiple Signs



Add up to 10 Signs and 10 Sensors per Controller Box

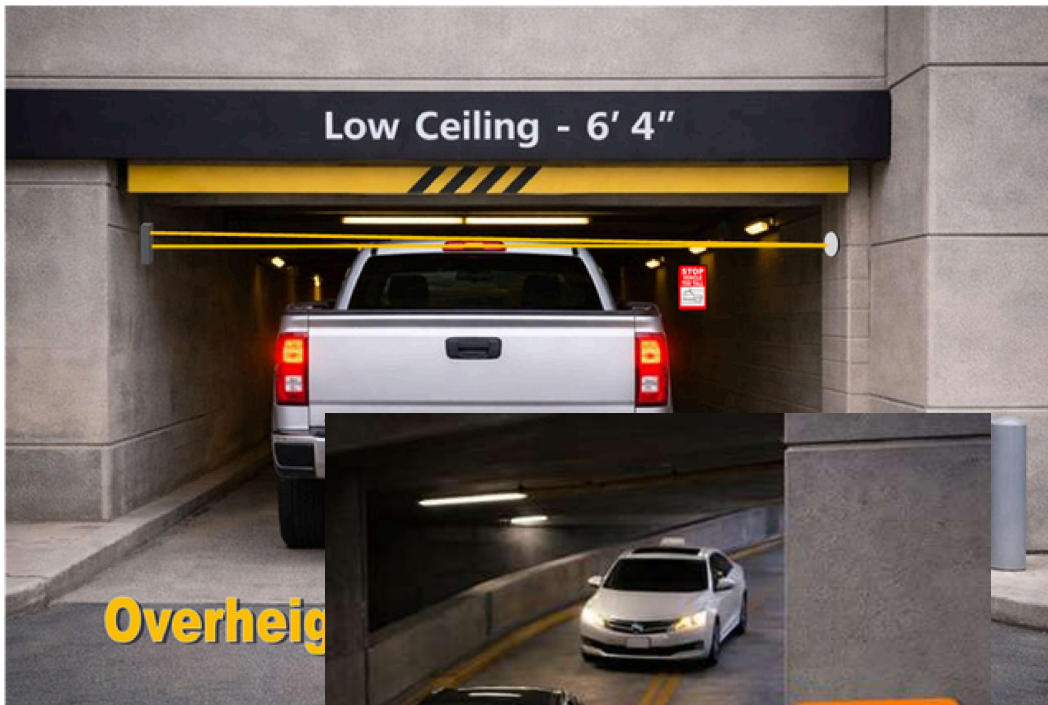


Messaged Warning Signs and Systems



Prevent accidents, property damage, and keep pedestrians safe with messaged warning systems. Including CUSTOM messaging if needed.

Messaged Warning Signs



Intelligent backlit
messaged signs to
prevent accidents
in your facility.



- 1) Detect vehicles
- 2) Activate flashing signs and audio warnings
- 3) Save lives and property

Messaged Warning Signs

Wall or Post Mounted

Vehicle Overheight System

Stops vehicles when a vehicle is too tall to enter a facility

P/N: PS-SVTT1812



(1) STOP VEHICLE TOO TALL 1812 Signs



PSC5 Warning Sign Controller with enclosure & power supply, and outdoor speaker



(1) PS-BD30R Beam Detector

Application: Prevent vehicles too tall from entering into facility.

Operations: When a overheight vehicle is detected entering the facility, the system is activated. The sign flashes, and audio file will play, "Stop! Vehicle too tall for this facility. Do not enter!" This will continue to stay active until the vehicle moves. Optionally you can shut a vehicle gate to prevent entry.

Mounting: Wall or post

Power In: 120VAC 1A or 12VDC 5A

CAUTION VEHICLE ON RAMP Warning System

Warns cars that another car is on the ramp

P/N: PS-CVOR1812-KIT



(2) CAUTION VEHICLE ON RAMP 1812 signs



PSC Two-way traffic controller with power supply



(2) Directional-logic Decider2 vehicle motion detectors

Application: Warn traffic that another vehicle is on the ramp.

Operations: When a vehicle is detected entering a ramp, the CAUTION VEHICLE ON RAMP will flash for all signs. Audio is optional to warn pedestrians or other vehicles.

Mounting: Wall or post

Power In: 120VAC 1A or 12VDC 5A

STOP HERE ONCOMING TRAFFIC Kit

Stops traffic from multiple directions

P/N: SHOT1812-2WAY



(2) STOP HERE ONCOMING TRAFFIC 1812 Signs



PSC 4-way traffic controller with power supply



(2) Directional-logic vehicle motion detectors

Application: Tight corners, blind spots, intersections of parking facilities.

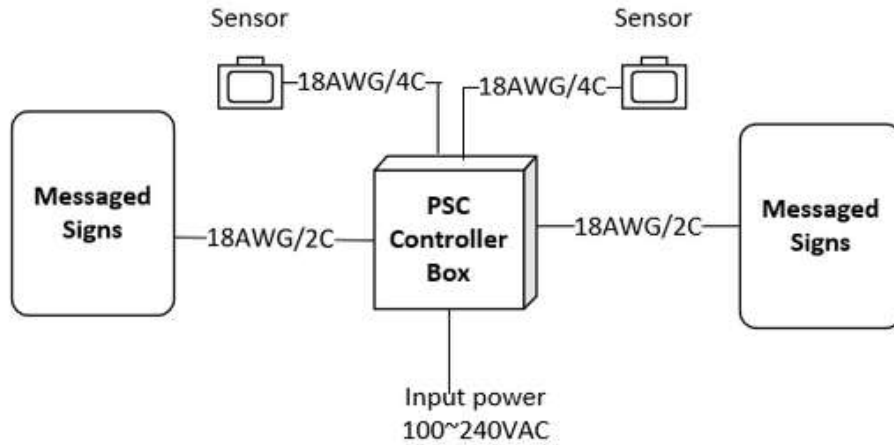
Operations: When a system detects a vehicle in one direction, the other direction will start to flash for the set Activation Time. If another vehicle is detected from a different direction during the Activation Time, it is added to a queue. Once the Activation Timer expires, the system switches to the queued lane.

Mounting: Wall or post

Power In: 120VAC 1A or 12VDC 5A

Message Warning Signs

Message Sign common cabling for Multiple Signs



Add up to 10 Signs and 10 Sensors per Controller Box



Parking Alert Signs

Engineered safety systems for your parking facilities