



Saving Lives, Preventing Accidents, Everyday

EchoSense20 Presence Detector

Part name: EchoSense 20

Part#: PS-PD20

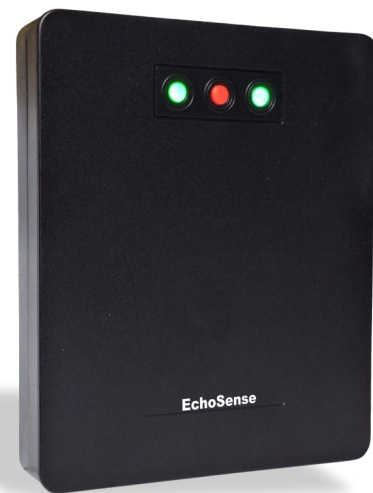
Description: The PS-PD20 EchoSense20 is a compact, radar-based presence detector engineered for safety and activation purposes. It can be configured to detect vehicles only, pedestrians only, or both, with precise control over detection range, sensitivity, and output timing. Ideal for integration with gates, doors, warning signs, and access control systems, the EchoSense20 provides reliable, maintenance-free operation without the need for in-ground loops.

Solution

Advanced radar technology to reliably detect the presence of vehicles and/or pedestrians.

Features:

- Detects vehicles and/or pedestrians using radar presence sensing
- Adjustable detection distance: 3 ft to 20 ft
- Sensitivity settings: Low, Medium, High
- Vehicle/Pedestrian differentiation mode
- Multiple relay output modes: Presence only or timed pulse (1–6 seconds)
- Selectable device type: Barrier Gate, Sliding Gate, Pulse output
- Weatherproof housing for outdoor use



**EchoSense20 Presence Detector
with Radar Technology**

EchoSense PD20 - Intelligent Presence Detector



Parking Alert Signs

Engineered safety systems for your parking facilities

Have questions?

We make it easy for you.

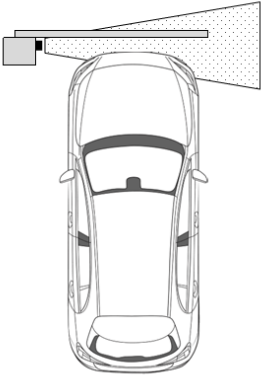
480-689-1993

support@passigns.com

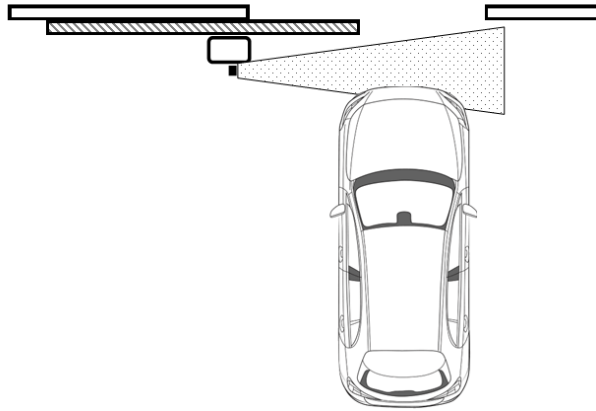
PassSigns.com

Dimensions & Views

Barrier Gate mounting



Sliding Gate mounting



Applications

Applications:

- Activate parking alert safety signs
- Automatic gate safety activation
- Replace old in-ground loop detection
- Parking lot entry & exit control
- Loading dock monitoring
- Warehouse door activation
- Pedestrian safety in mixed-use areas
- Vehicle direction control
- Toll booth and parking machine vehicle detection
- Drive-thru queue management

System Operations

Activate Signs - Wire direct into the Parking Alert Signs Controller PSC-5 to activate signs and warning systems.

Safety Detection - Detect pedestrians and/or vehicle from gates or doors closing, wire to Safety Input

Vehicle Detection - Detect vehicles for parking machines and kiosks, wire direct to Vehicle Present Input

Security Alarm - Detect persons in unauthorized areas direct to alarm when zone is alarmed.

Surveillance Pedestrian Detection - Activate surveillance cameras.

Detailed Specifications

Part Name: EchoSense20 Presence Detector

Part #: PS-PD20

Mounting: Wall or post – 18" to 30" height from ground, or higher for trucks

Detection Area: 20' depth x 6' wide at 20' depth

Dimensions: 4.6"H x 4"W x 1"D

Material & Rating: Weatherproof housing

Power Input: 12V DC

Mounting Height: 18" to 30" from the ground

Mounting Type: Wall or post

Detection Area: 20' depth x 6' wide at 20' depth

Typical wiring

